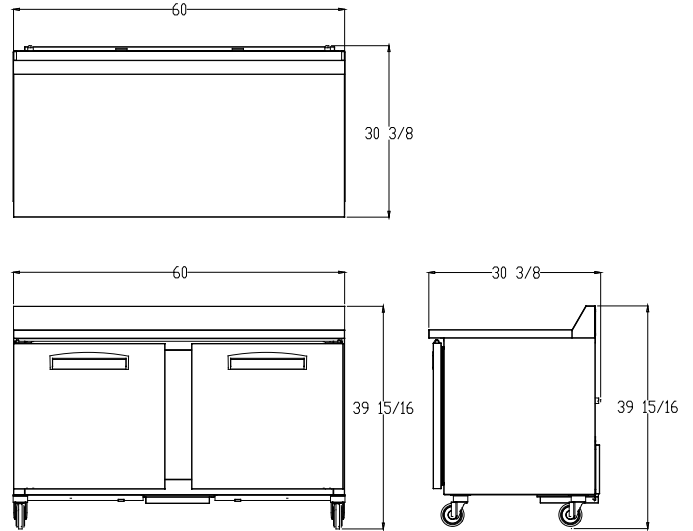




~ PRODUCT



~ TECHNICAL VIEWS



~ STANDARD FEATURES

- Work surface with Splashtop
- Electronic control with external display
- Environmentally Friendly R290 Refrigerant
- Foamed-in-placed high density polyurethane insulation: provides a solid structure and low energy consumption
- All stainless steel exterior, Polished aluminum interior
- Swivel casters 6"

~ OPTIONAL FEATURES

- Voltage 220v/60Hz-50Hz
- Smart Control IoT
- Voltage Regulator

~ TECHNICAL SPECS

<i>Internal Capacity</i>	<i>Ft<sup>3</sup></i> 15.6	<i>Liters</i> 441.74		
<i>Exterior Dimensions</i>	<i>Width</i> 60.00" 1524.00 mm	<i>Depth</i> 30.38" 771.65 mm	<i>Height</i> 39.94" 1014.48 mm	
<i>Container Capacity</i>	<i>40 ft</i> 30	<i>45 ft</i> 34		
<i>Temperature Range</i>	<i>°C</i> -23°C   -17°C	<i>°F</i> -10°F   0°F		
<i>Shelves</i>	<i>4 - N/A</i>			
<i>Weight Approx.</i>	<i>142 kg.</i>			
<i>Compressor HP</i>	<i>1 / 3</i>			
<i>Amperage</i>	<i>3.65</i>			
<i>Voltage/Frequency</i>	<i>115v / 60hz</i>	<i>Plug</i>	<i>NEMA 5-15P</i>	
<i>Drain Type</i>	<i>Metal tray attached to the bottom of the unit</i>			