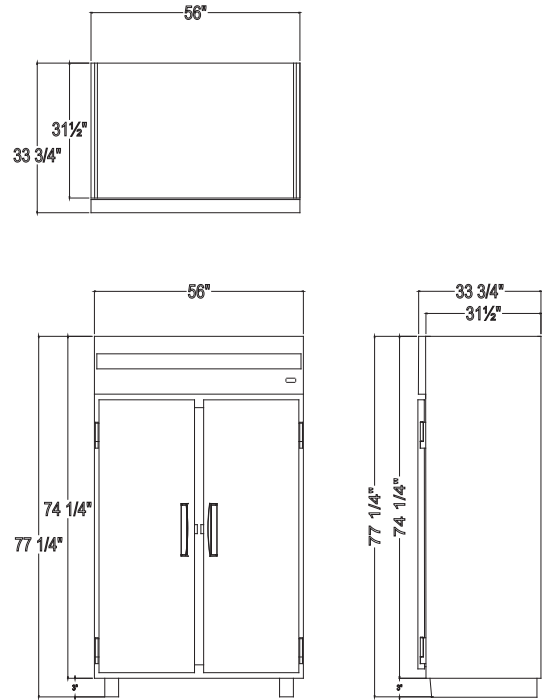




▼ PRODUCT



▼ TECHNICAL VIEWS



▼ STANDARD FEATURES

- Electronic control with energy saving function
- Environmentally Friendly R290 Refrigerant
- Foamed-in-placed high density polyurethane insulation: provides a solid structure and low energy consumption
- LED lighting.

▼ OPTIONAL FEATURES

- Swivel casters 6"
- Voltage 220v / 60Hz-50Hz
- Smart Control IoT
- Electric Condensate Evaporator Tray
- Voltage regulator.

▼ TECHNICAL SPECS

|                            |                                       |                                     |                                       |                   |
|----------------------------|---------------------------------------|-------------------------------------|---------------------------------------|-------------------|
| <i>Internal Capacity</i>   | <i>Ft<sup>3</sup></i><br>48           | <i>Liters</i><br>1359.21            |                                       |                   |
| <i>Exterior Dimensions</i> | <i>Width</i><br>56.00"<br>1422.40 mm  | <i>Depth</i><br>33.75"<br>857.25 mm | <i>Height</i><br>77.25"<br>1962.15 mm |                   |
| <i>Container Capacity</i>  | <i>40 ft</i><br>16                    | <i>45 ft</i><br>18                  |                                       |                   |
| <i>Temperature Range</i>   | <i>°C</i><br>5°C   0°C                | <i>°F</i><br>33°F   41°F            |                                       |                   |
| <i>Shelves</i>             | <i>6</i>                              |                                     |                                       |                   |
| <i>Weight Approx.</i>      | <i>178 kg.</i>                        |                                     |                                       |                   |
| <i>Compressor HP</i>       | <i>1 / 4 Inverter</i>                 |                                     |                                       |                   |
| <i>Amperage</i>            | <i>3.30</i>                           |                                     |                                       |                   |
| <i>Voltage/Frequency</i>   | <i>115v / 60hz</i>                    | <i>Plug</i>                         |                                       | <i>NEMA 5-15P</i> |
| <i>Drain Type</i>          | <i>Requires connection to a drain</i> |                                     |                                       |                   |